

TRAFFIC SEPARATORS

User Guide



GENERATION
HIRE & SALE

LW.LH/10.21

Altrad Generation

Shaping The Future Of Construction & Industry.



Altrad Generation is one of the largest suppliers of Scaffolding, Temporary Fencing and Access. Also supplying to multiple sectors in Groundworks, Safety, Edge Protection and within Ireland, formwork and falsework.

OUR CUSTOMER PROMISE IS TO DELIVER:

1

BEST QUALITY

We work in partnership with our suppliers to ensure we deliver consistent quality every time. We guarantee that our hire and sales products will meet and conform or exceed all statutory requirements and not let you down.

2

BEST AVAILABILITY

We have the largest available inventory of temporary fencing, water filled and pedestrian barrier products. Our branch network and delivery fleet will ensure that we deliver what you need, when you need it.

3

BEST PARTNERSHIP

We provide a full range of engineering, design and business services to partner and work with our customers. Talk to us today about how we can help you to grow your business.

4

BEST PRICES

We use our position as the largest supplier of scaffolding, fencing and access products to negotiate the best rates for you. We guarantee you will get the best value products and service when you hire or buy from us.

Contents

Traffic Separators

Evo Barriers.....	3
Evo Angle	4
Mini Mesh Panels.....	5

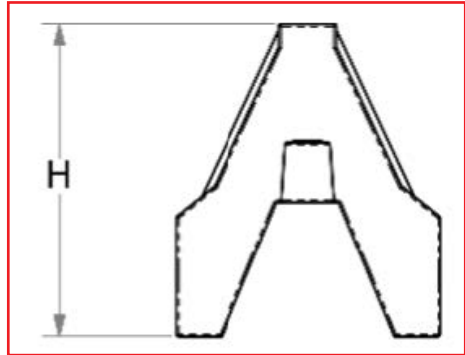
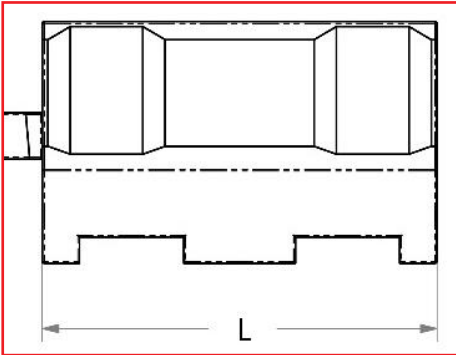
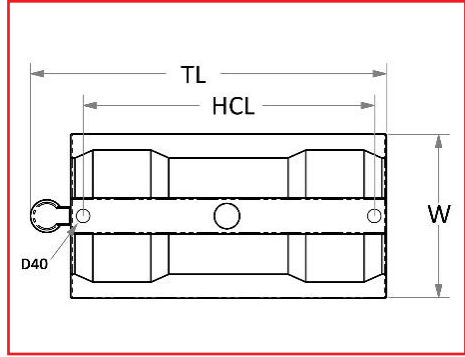
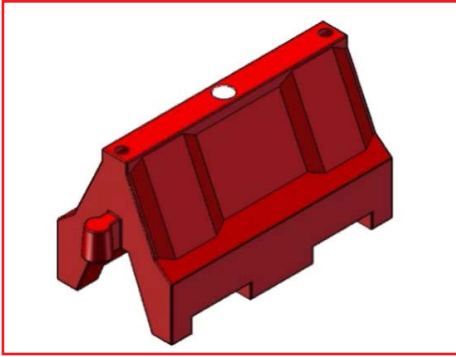
Disclaimer & Copyright

Disclaimer	6
Copyright	6

Traffic Separators

Evo Barriers

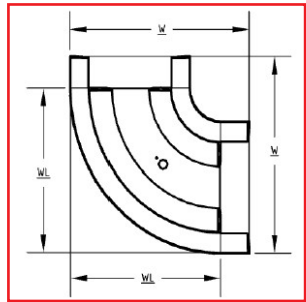
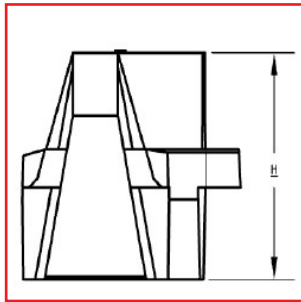
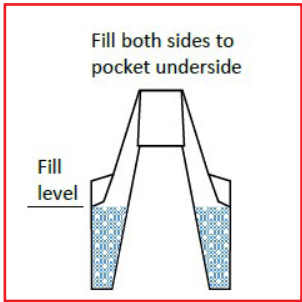
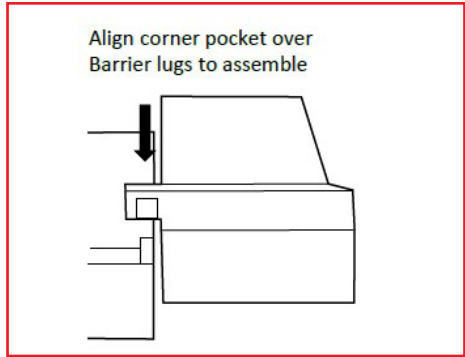
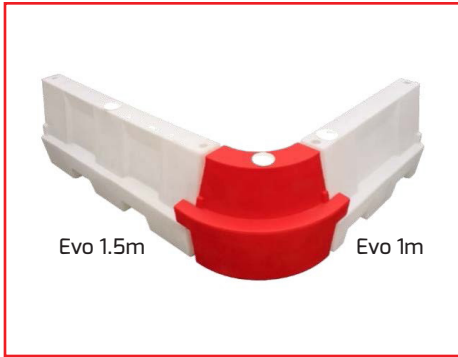
Rugged water filled barrier for traffic and pedestrian delineation.



	EVO 1M	EVO 1.5M
PRODUCT CODE	011056	022081
WL	1000mm	1500mm
W	400mm	400mm
H	555mm	555mm
TL	1100mm	1600mm
HCL	960mm	1450mm
WEIGHT E/F (KG)	6.3/26.3	10/30
PER PALLET PER	24	24
FULL LOAD	S:576 M:650	S:384 M:432
MATERIAL COLOUR	UVMDPE RED/WHITE	UVMDPE RED/WHITE

Traffic Separators

Evo Barriers - Evo Angle



EVO ANGLE	
PRODUCT CODE	011555
WL	430mm
W	580mm
H	555mm
WEIGHT E/F (KG)	4.5 / 18.5kg
PER PALLET PER	15
MATERIAL COLOUR	UVMDPE RED/WHITE

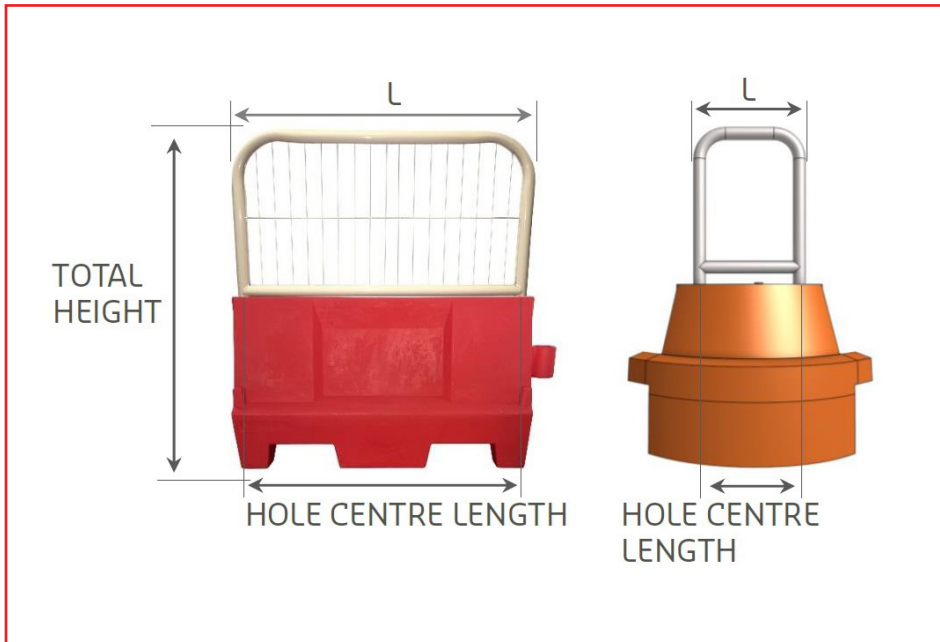
Traffic Separators

Mini Mesh Panels

	EVO 1M	EVO 1.5M	EVO CORNER
PRODUCT CODE L	1EMM	1.5RBM	
W	960mm	1450mm	380mm
TH	40mm	40mm	40mm
HCL	1080mm	1080mm	1080mm
WEIGHT E/F	920mm	1365mm	340mm
PER PALLET (KG)	4.1	6.2	2
MATERIAL COLOUR	S:576 M:600 B&M:400 STEEL POWDER COAT WHITE	S:384 M:432 B&M:255 STEEL POWDER COAT WHITE	STEEL POWDER COAT WHITE

ASSEMBLY PROCESS:

1. Interlock adjacent barriers.
2. Add water to fill level and replace cap.
3. Insert Mesh panel legs into holes in 1 barrier, 1 1 end at a time as shown.
4. Add mesh between mesh panel uprights as required.



Disclaimer & Copyright

Disclaimer

Whilst Generation (UK) Ltd has taken every reasonable effort to ensure the information contained within this publication is correct and complete at the time of printing, you should be aware that there will be periodical changes and Generation (UK) Ltd does not accept any liability for any inconvenience, loss or damage caused as a result of any inaccuracy or omission within this publication.

Copyright

No unauthorised reproduction of any images, text or other matter contained herein is permitted. All rights are expressly reserved, including copyright, design right, moral and patent rights (where applicable). We reserve the right to take legal action in respect of any infringement of said rights.

SCOTLAND

Dundee	01382 227 552
Edinburgh (E)	0131 552 7534
Edinburgh (W)	01506 863 864
Glasgow (E)	0141 810 8350
Glasgow (S)	0141 647 6969
Salsburgh	01698 870 200

NORTH EAST

Gateshead	0191 490 6866
Newcastle	0191 492 1190

NORTH WEST

Manchester	0161 477 0131
Widnes	0151 420 3331

YORKSHIRE

Leeds (SE)	0113 277 8822
Leeds (SW)	0113 387 0630
Rotherham	01709 554 149

EAST MIDLANDS

Brigg	01652 601 390
Northampton	01604 580 444
Raunds	01933 462190
Nottingham	0115 946 7660
Peterborough	01733 890009

WEST MIDLANDS

Birmingham (N)	0121 366 7840
Birmingham (E)	0121 706 0000
Birmingham (W)	0121 544 3355

WALES

Cardiff	029 2046 3835
Cardiff Docks	029 2079 1188

EAST ANGLIA

Kings Lynn	01553 771 465
Norwich	01603 309 010

SOUTH EAST

Chelmsford	01277 841 670
Chichester	01243 558 290
Croydon	0208 6896044
Frimley	01252 838 696
Grays	01375 312 120
London (E)	020 7473 6056
Luton	01582 491000
London (W)	01895 527666
West Thurrock	020 7476 4760
Reading Coming Soon	

SOUTH WEST

Bournemouth	01202 591255
Bristol (E)	0117 972 4550
Bristol (W)	0117 972 3353
Truro	01872 870078

IRELAND

Cork	+ 353 21 4866400
Dublin (N)	+ 353 1 9018690
Dublin (W)	+ 353 1 6011500
Galway	+ 353 93 60470

SCAN ME
TO FIND



YOUR LOCAL
BRANCH



GENERATION
HIRE & SALE

Generation UK Ltd.
Generation Head Office, Trinity Street, Off Tat Bank Road, Oldbury, West Midlands, B69 4LA - United Kingdom
Tel. 0121 543 2950 - Fax. 0121 543 2953 - enquiries@generationuk.co.uk
www.altradgeneration.com