

MK 1 PODIUM

User Guide



GENERATION
HIRE & SALE

LW.LH/10.21

Altrad Generation

Shaping The Future Of Construction & Industry.



Altrad Generation is one of the largest suppliers of Scaffolding, Temporary Fencing and Access. Also supplying to multiple sectors in Groundworks, Safety, Edge Protection and within Ireland, formwork and falsework.

OUR **CUSTOMER PROMISE** IS TO DELIVER:

1

BEST QUALITY

We work in partnership with our suppliers to ensure we deliver consistent quality every time. We guarantee that our hire and sales products will meet and conform or exceed all statutory requirements and not let you down.

2

BEST AVAILABILITY

We have the largest available inventory of temporary fencing, water filled and pedestrian barrier products. Our branch network and delivery fleet will ensure that we deliver what you need, when you need it.

3

BEST PARTNERSHIP

We provide a full range of engineering, design and business services to partner and work with our customers. Talk to us today about how we can help you to grow your business.

4

BEST PRICES

We use our position as the largest supplier of scaffolding, fencing and access products to negotiate the best rates for you. We guarantee you will get the best value products and service when you hire or buy from us.

Contents

MK 1 Podium

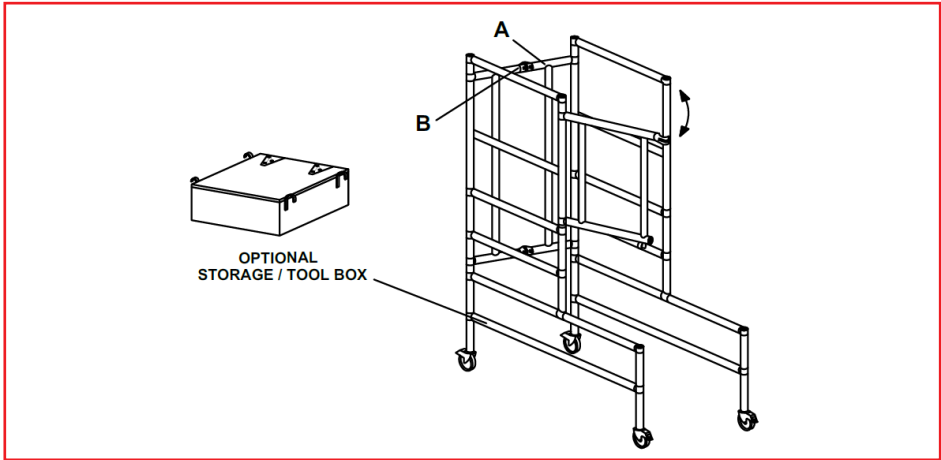
Installation Guide.....	3-4
Before Working on Fourth Ring Adaption Kit	5
Additional User Notes	6
Safety Checklist	7

Disclaimer & Copyright

Disclaimer	8
Copyright	8

Podium Steps - Installation Guide

1.

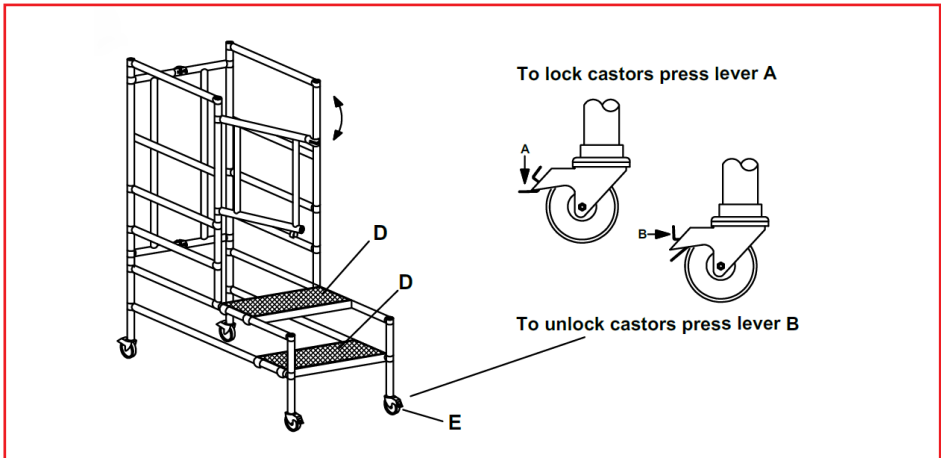


Open steps until folding frame (A) mechanisms lock automatically at (B)

2.

If tool box being used fit now on appropriate rung.

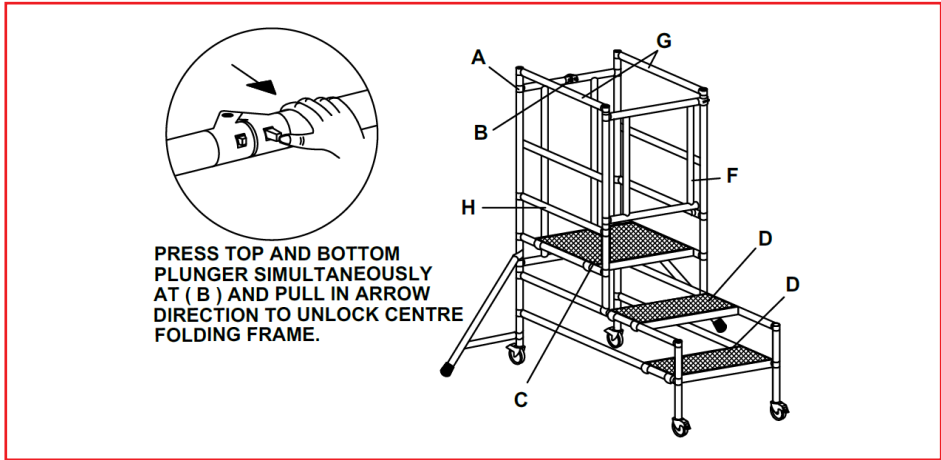
3.



Fit small platforms (D) to form steps up to the top platform. Ensure the locking mechanisms of the hooks have engaged.

Podium Steps - Installation Guide

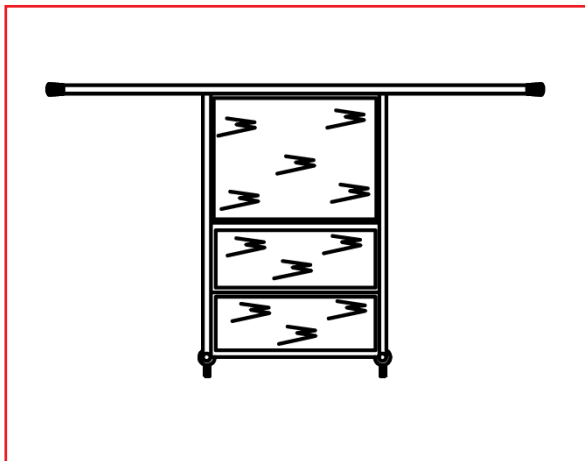
4.



Fit work platform (C) at required rung height.

5.

By placing the platform on rung (H) the handrail height above the platform will be less than the current heights requirements. Before working at this height, all users must carry out a risk assessment to satisfy themselves as to the risk of falls from height whilst using podium steps in this manner and advise all operatives who mount the steps to adopt extreme care whilst on steps.

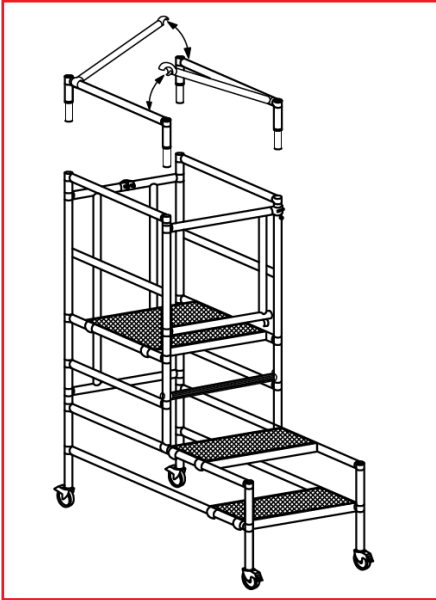


Special Note

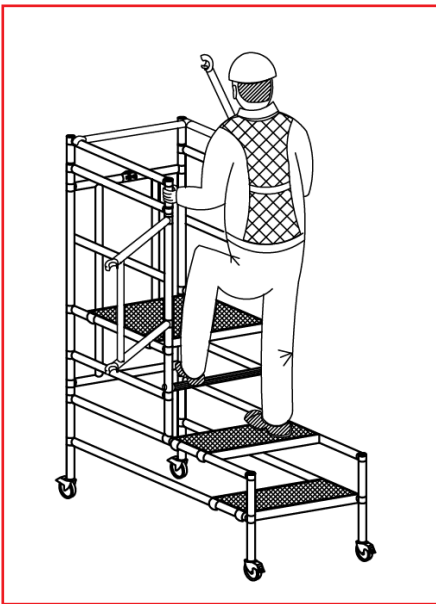
There may sometimes be a requirement for stabilisers to be fitted. If so, fit on to back verticals as shown, to be in line with folding back frame

Podium Steps - Installation Guide

Before Working On Fourth Ring Adaption Kit



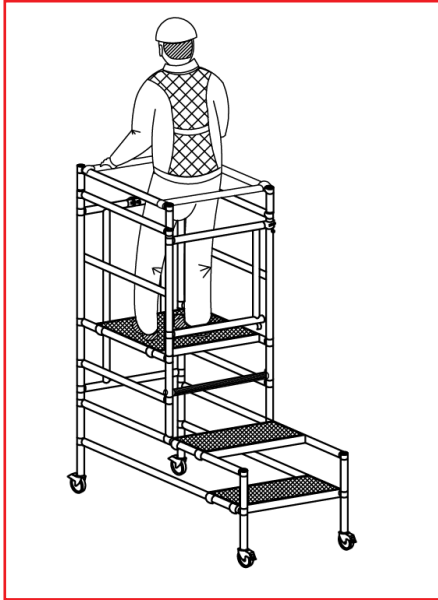
Fit adaption Kit to top of frame ensuring that the clip pins engage in the holes of the spigots. Also fit climbing rung.



Climb up on to the platform using steps and climbing rung. To descend climb down as shown in diagram to the left.

Podium Steps - Installation Guide

Before Working On Fourth Ring Adaption Kit



When on the platform ensure swinging braces are fitted correctly as shown, and gate is also closed.

Always work with the folding frame facing work

Note : Optional stabilisers not shown see overleaf for fitting instructions

Additional User Notes

6) Push unit into position with folding frame (A) facing work, rest on a firm and level base. Beware of any overhead hazards near where you are going to work.

7) When standing on work platform swing guardrail gate (F) into position and lock behind you. Ensure that the hook is located above the locating pin on the vertical tube.

8) To move unit unlock gate, allow to drop and park clip on side frame (H). Dismount, unlock castors and repeat procedures 6&7.

9) Safe working load on work platform 150kg or (one man plus hand tools).

10) Do not overreach when working on platform.

11) Do not, under any circumstances, move unit with anyone on it.

12) Never put anything on the platforms to gain extra height, stand on the work platform only.

13) If in doubt about any application do not guess - consult your supplier.

14) see overleaf for safety checklist.

Podium Safety Checklist

To be carried out at least once a week

Checklist description	Date	Checked By
Check castors are firmly fixed and locking mechanisms are functioning correctly,if not, adjust to suit		
Check step hook mechanisms are locking correctly		
Decking should be checked for damage and free of any material likely to cause slipping IE oil ETC		
Check pivot bolts are secure and allow free movement		
Test centre locking mechanisms are functioning correctly		
Test gate for movement and locking on vertical above pin		
Check all welds for cracks and tube damage		
Check all labels are fixed and readable		
Check all erected steps are used on a level surface		
Check for correct positioning of platform (and adaption kit)		

Disclaimer & Copyright

Disclaimer

Whilst Generation (UK) Ltd has taken every reasonable effort to ensure the information contained within this publication is correct and complete at the time of printing, you should be aware that there will be periodical changes and Generation (UK) Ltd does not accept any liability for any inconvenience, loss or damage caused as a result of any inaccuracy or omission within this publication.

Copyright

No unauthorised reproduction of any images, text or other matter contained herein is permitted. All rights are expressly reserved, including copyright, design right, moral and patent rights (where applicable). We reserve the right to take legal action in respect of any infringement of said rights.

SCOTLAND

Dundee	01382 227 552
Edinburgh (E)	0131 552 7534
Edinburgh (W)	01506 863 864
Glasgow (E)	0141 810 8350
Glasgow (S)	0141 647 6969
Salsburgh	01698 870 200

NORTH EAST

Gateshead	0191 490 6866
Newcastle	0191 492 1190

NORTH WEST

Manchester	0161 477 0131
Widnes	0151 420 3331

YORKSHIRE

Leeds (SE)	0113 277 8822
Leeds (SW)	0113 387 0630
Rotherham	01709 554 149

EAST MIDLANDS

Brigg	01652 601 390
Northampton	01604 580 444
Raunds	01933 462190
Nottingham	0115 946 7660
Peterborough	01733 890009

WEST MIDLANDS

Birmingham (N)	0121 366 7840
Birmingham (E)	0121 706 0000
Birmingham (W)	0121 544 3355

WALES

Cardiff	029 2046 3835
Cardiff Docks	029 2079 1188

EAST ANGLIA

Kings Lynn	01553 771 465
Norwich	01603 309 010

SOUTH EAST

Chelmsford	01277 841 670
Chichester	01243 558 290
Croydon	0208 6896044
Frimley	01252 838 696
Grays	01375 312 120
London (E)	020 7473 6056
Luton	01582 491000
London (W)	01895 527666
West Thurrock	020 7476 4760
Reading Coming Soon	

SOUTH WEST

Bournemouth	01202 591255
Bristol (E)	0117 972 4550
Bristol (W)	0117 972 3353
Truro	01872 870078

IRELAND

Cork	+ 353 21 4866400
Dublin (N)	+ 353 1 9018690
Dublin (W)	+ 353 1 6011500
Galway	+ 353 93 60470

SCAN ME
TO FIND



YOUR LOCAL
BRANCH



GENERATION
HIRE & SALE

Generation UK Ltd.
Generation Head Office, Trinity Street, Off Tat Bank Road, Oldbury, West Midlands, B69 4LA - United Kingdom
Tel. 0121 543 2950 - Fax. 0121 543 2953 - enquiries@generationuk.co.uk
www.altradgeneration.com