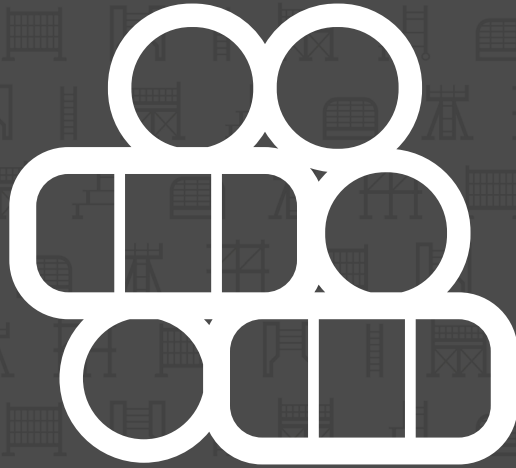


# FALL-PAC

## User Guide



GENERATION  
HIRE & SALE

LW.LH/10.21

# Altrad Generation Hire & Sale

Shaping The Future Of Construction & Industry.



Altrad Generation is one of the largest suppliers of Scaffolding, Temporary Fencing and Access. Also supplying to multiple sectors in Groundworks, Safety, Edge Protection and within Ireland, formwork and falsework.

## OUR CUSTOMER PROMISE IS TO DELIVER:

1

### **BEST QUALITY**

We work in partnership with our suppliers to ensure we deliver consistent quality every time. We guarantee that our hire and sales products will meet and conform or exceed all statutory requirements and not let you down.

2

### **BEST AVAILABILITY**

We have the largest available inventory of temporary fencing, water filled and pedestrian barrier products. Our branch network and delivery fleet will ensure that we deliver what you need, when you need it.

3

### **BEST PARTNERSHIP**

We provide a full range of engineering, design and business services to partner and work with our customers. Talk to us today about how we can help you to grow your business.

4

### **BEST PRICES**

We use our position as the largest supplier of scaffolding, fencing and access products to negotiate the best rates for you. We guarantee you will get the best value products and service when you hire or buy from us.

# Contents

## Fall-Pac

- Introduction ..... 3
- Specification..... 3
- Preparation and Inspection ..... 4
- Safety ..... 4
- Ground Floor Installation..... 5
- First Floor Installation ..... 5
- Important Information ..... 6

## Disclaimer & Copyright

- Disclaimer ..... 7
- Copyright ..... 7

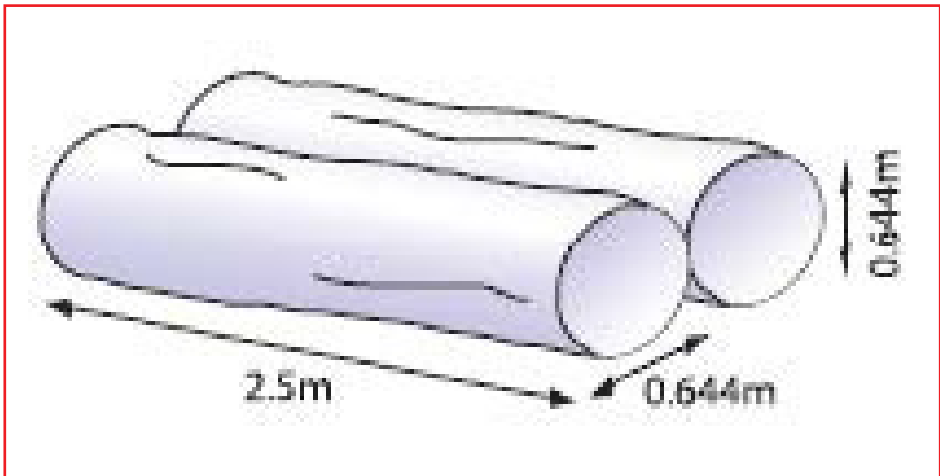
# Fall-Pac User Guide

## Introduction

Fall-Pac units are a means of mitigating the effects of a fall from height, but all possible steps should be taken to prevent that fall in the first instance. Whilst the bags are a relatively simple method of providing a surface that can absorb much of the impact, they must be carefully controlled to avoid misuse or deterioration.

Fall-Pac units should be handled with care at all times, and only used for safety purposes. The installation example shown is typical of a housing construction project to protect workers installing roof trusses. However, Fall-Pac units are intended for use in any suitable environment to protect against the effects of falls from height.

Please note: It is important to ensure that there are no obstructions that could be struck in the event of a fall as Fall-Pac units may not be suitable in providing a safe solution in these circumstances.



## Specification

Fall-Pac units are: 2.5m in length x 644mm in diameter.

Outer material: Woven coated polypropylene bags.

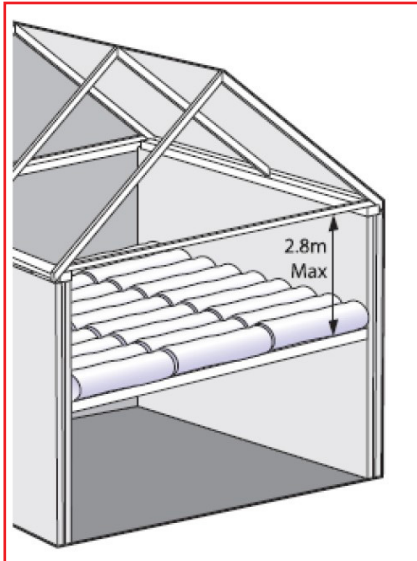
Inner material: Directly filled with polystyrene packaging medium.

# Fall-Pac User Guide

## Preparation and Inspection

It is particularly important to inspect the units on a regular basis and before each re-use:

- Ensure that there are no cuts or rips, or un-fastening of the elements and check that there is no spillage of the content of any unit. Any unit which has lost any part of its contents should be isolated and not used.
- Any unit that is abnormally compressed should be isolated and not used.
- Check that the height of the falls does not exceed a maximum of 2.8 metres.
- Ensure that the positioning of the units fully fits the enclosure required.
- The support to each unit should be sufficient to bear the impact of a fall.
- The storage of units should not permit the build up of mildew or moisture that could cause deterioration in the product.



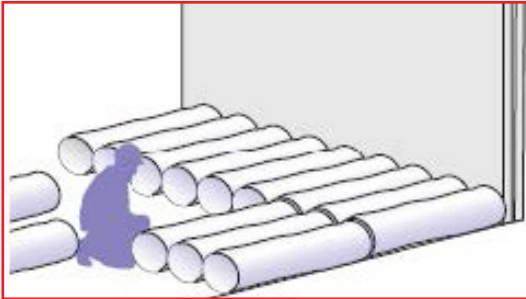
## Safety

Fall-Pac units have a recommended life of five years when correctly stored and maintained. Depending on the use and care of the units, this can be exceeded.

Fall-Pac systems are designed for the purpose of reducing the risk of injury in a fall from a height and should only be used to reduce this risk.

# Fall-Pac User Guide

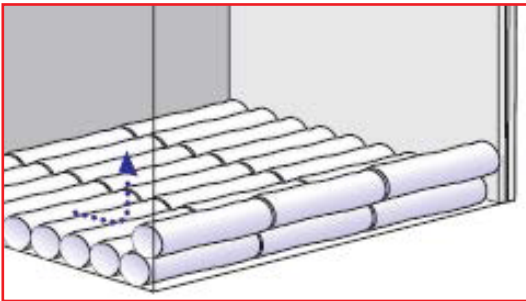
## Ground Floor Installation



Working from one corner, clip and push the units together to form a completely connected unit. All clips should be fastened except for those on the perimeter.

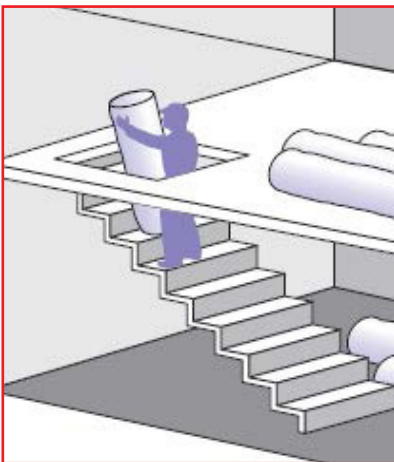
Where the area to be covered by the final row of units is smaller than the size of a unit,

allow the unit to curve up the perimeter wall. Alternatively, overlap the units ensuring that the area is covered. If it is likely that falling mortar may occur, covering and protecting the clips will reduce the maintenance required.



If any materials should fall from above that could result in the event of a fall, ensure that they are removed as quickly as possible.

## First Floor Level Installation



Once first floor joists are fixed and brickwork is commenced, the units can be used for protection on the first floor by passing them through the stairwell opening. The stairwell should be covered at all other times. You should always work from a safe platform. Install scaffold boards or similar (e.g. suitable plywood) directly onto the joists at right angles to the joists. The units can then be deployed in a similar manner to that on ground floor installation.

# Fall-Pac User Guide

## Important Information

You must read all relevant guides, instructions and notices prior to installing Fall-Pac products and must comply with all warnings. Fall-Pac will not be liable for any damage to property, personal injury or any losses caused by failure to follow the instructions contained in this guide or with other applicable notices and guidelines that Fall-Pac produces. The guide is intended only for use in conjunction with Fall-Pac products. Fall-Pac reserves the right to alter products from time to time to comply with new regulations, other safety guidance's or industry advancements. By mixing Fall-Pac products with other brands you are risking your safety. Fall-Pac will not be liable for any loss or damage caused as a result. Fall-Pac reviews and updates its user guides from time to time in line with changes in legislation. Fall-Pac also issues safety notices on its products or packaging. These notices could affect the manner in which the products are used and users should therefore adhere to the instructions contained in those notices as well as the user guides. Where there is a conflict, most recently published instructions should prevail. Notices will be issued or published online at [www.fall-pac.com](http://www.fall-pac.com)

# Disclaimer & Copyright

## Disclaimer

Whilst Generation (UK) Ltd has taken every reasonable effort to ensure the information contained within this publication is correct and complete at the time of printing, you should be aware that there will be periodical changes and Generation (UK) Ltd does not accept any liability for any inconvenience, loss or damage caused as a result of any inaccuracy or omission within this publication.

## Copyright

No unauthorised reproduction of any images, text or other matter contained herein is permitted. All rights are expressly reserved, including copyright, design right, moral and patent rights (where applicable). We reserve the right to take legal action in respect of any infringement of said rights.



# Notes

## SCOTLAND

Dundee	01382 227 552
Edinburgh (E)	0131 552 7534
Edinburgh (W)	01506 863 864
Glasgow (E)	0141 810 8350
Glasgow (S)	0141 647 6969
Salsburgh	01698 870 200

## NORTH EAST

Gateshead	0191 490 6866
Newcastle	0191 492 1190

## NORTH WEST

Manchester	0161 477 0131
Widnes	0151 420 3331

## YORKSHIRE

Leeds (SE)	0113 277 8822
Leeds (SW)	0113 387 0630
Rotherham	01709 554 149

## EAST MIDLANDS

Brigg	01652 601 390
Northampton	01604 580 444
Raunds	01933 462190
Nottingham	0115 946 7660
Peterborough	01733 890009

## WEST MIDLANDS

Birmingham (N)	0121 366 7840
Birmingham (E)	0121 706 0000
Birmingham (W)	0121 544 3355

## WALES

Cardiff	029 2046 3835
Cardiff Docks	029 2079 1188

## EAST ANGLIA

Kings Lynn	01553 771 465
Norwich	01603 309 010

## SOUTH EAST

Chelmsford	01277 841 670
Chichester	01243 558 290
Croydon	0208 6896044
Frimley	01252 838 696
Grays	01375 312 120
London (E)	020 7473 6056
Luton	01582 491000
London (W)	01895 527666
West Thurrock	020 7476 4760
Reading Coming Soon	

## SOUTH WEST

Bournemouth	01202 591255
Bristol (E)	0117 972 4550
Bristol (W)	0117 972 3353
Truro	01872 870078

## IRELAND

Cork	+ 353 21 4866400
Dublin (N)	+ 353 1 9018690
Dublin (W)	+ 353 1 6011500
Galway	+ 353 93 60470

SCAN ME  
TO FIND



YOUR LOCAL  
BRANCH



GENERATION  
HIRE & SALE

Generation UK Ltd.  
Generation Head Office, Trinity Street, Off Tat Bank Road, Oldbury, West Midlands, B69 4LA - United Kingdom  
Tel. 0121 543 2950 - Fax. 0121 543 2953 - enquiries@generationuk.co.uk  
www.altradgeneration.com